

The Pevex Range

Multifuel Stoves
for the home

Inset, freestanding & convector stoves



 DESIGNED
IN THE UK

Warming your world



THE PEVEX COLLECTION OF FREESTANDING AND INSET STOVES – WARMING YOUR WORLD

The Pevex Stove Collection brings you an impressive range of freestanding and inset stoves designed to be aesthetically pleasing as well as providing a wonderful source of heat to warm your hearth and home. This British designed collection offers a choice of models whether for a traditional setting or a stylish contemporary fireplace, there is sure to be a model that will fit your requirements..

This wonderful collection has been designed not only as attractive appliances for the home but also as high performance stoves able to meet the environmental requirements of today and tomorrow with many of them approved for use in smoke control areas throughout the UK and some tested and approved to exceed Ecodesign requirements.

The Pevex Collection of stoves are fitted with separate primary air and secondary air wash controls to keep the glass window clean and tertiary air to ensure a clean-burn high-efficiency performance whether burning wood or recommended smokeless fuels.

There is nothing quite like a living flame fire to make a room warm and cosy, where you can appreciate and enjoy the mesmerising dancing flames and wonderful heat that these stoves can produce. Pevex stoves are designed to give you superb performance but are also supported by a 5 year manufacturer's guarantee*, so you know that when you choose a stove from Pevex you will always have peace of mind.

CONTENTS

FREESTANDING STOVES

4. BUCKLESHAM 40FS ECODESIGN 3-6kW & BUCKLESHAM 50FS 4-7kW
6. X30 CUBE ECODESIGN 2-4.9kW
8. BOHEMIA X40 CUBE ECODESIGN 3-7kW
BOHEMIA X60 CUBE 3-9kW
10. BOHEMIA X40 CUBE XTRA WIDE 3-7kW
11. BOHEMIA 60 CUBE DOUBLE-SIDED STOVE 6-8kW

INSET STOVES

12. PEVEX SLIMLINE 30 3-6kW
13. PEVEX 60 CONVECTOR 4-9kW
14. PEVEX 40 CONVECTOR 4.5kW
15. TECHNICAL INFORMATION

FREESTANDING STOVES

BUCKLESHAM 40FS 3-6kW & BUCKLESHAM 50FS 4-7kW



These UK designed stoves feature a full size cast iron door giving a wide and impressive view of the fire. The gently contoured door profiles and cast iron convector top plates ensure that they offer a stylish yet practical addition to any home.

Combine these features with the stoves multifuel clean burning performance, high efficiency and controllable heat output and you have a stove that will give you hours of warmth and comfort.

Available in matt black & 4 enamel finishes

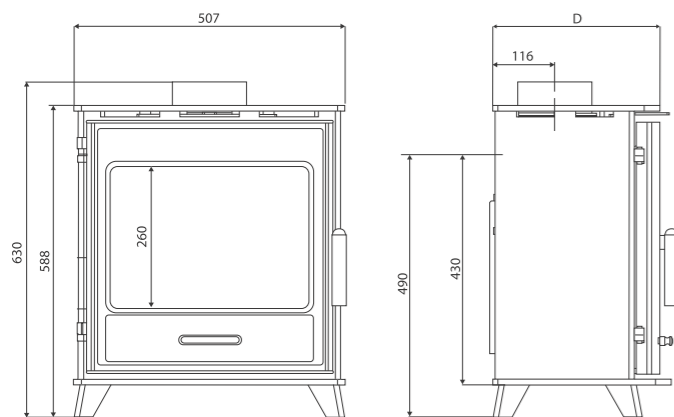


Black Enamel Red Enamel Cream Enamel White Enamel

Features

- 3-6kW (40FS) AND 4-7kW (50FS) OUTPUT
- NOMINAL OUTPUT 40FS 5KW AND 50FS 6KW
- HEAVY DUTY FREESTANDING CONSTRUCTION
- PEVEX CLEAN BURN TECHNOLOGY
- TOP OR REAR FLUE OUTLET 5" DIAMETER
- EASY TO USE PRIMARY AND SECONDARY AIR CONTROL SLIDERS
- FULL SIZE CAST IRON DOOR
- TESTED AND APPROVED TO EN13240 FOR WOOD AND APPROVED SMOKELESS FUEL
- SEA APPROVED FOR USE IN SMOKE CONTROL AREAS
- 40FS ECODESIGN READY

Bucklesham 40FS Ecodesign & Bucklesham 50FS Dimensions



40FS D = 304mm 50FS D = 348mm All Measurements in mm



BUCKLESHAM 40FS SHOWN IN ASCOT LIMESTONE SURROUND

FREESTANDING STOVES

X30 CUBE ECODESIGN 2-4.9kW



Small but perfectly formed the British designed X30 Cube offers contemporary styling and a very useful 4.2kW of heat from its high efficient multifuel firebox.

Its diminutive size allows for installation into a 16" x 22" height fireplace opening and is ideal for smaller homes, country cottages, town houses, even house boats or log cabins. With its modular design you can customise it by adding legs, logstore or convection side panels which allows positioning closer to combustible surfaces giving you complete peace of mind and a cosy, radiant convection heat.

An impressive 83.9% efficiency for wood burning and approved for us in smoke control area and tested and exceeding Ecodesign requirements, this stove is small but offers modular flexibility with its range of bolt-on options.

Options

- Available with 80mm and 110mm leg frames
- 200mm and 400mm logstores
- Convection side panels
- Cool touch stainless steel, black handles and knobs or wooden handle

Features

- 2-4.9kW
- NOMINAL OUTPUT: 4.2KW
- 83.9% EFFICIENCY
- SMALL MODERN DESIGN
- LARGE VIEWING WINDOW FOR MAXIMUM VIEW OF FIRE
- TOP AND REAR FLUE OUTLET
- VERMICULITE LINED FIRE CHAMBER
- CAST IRON GRATE
- PRIMARY AND SECONDARY AIR CONTROLS
- TERTIARY AIR CLEAN BURN PERFORMANCE
- SEA APPROVED FOR USE IN SMOKE CONTROL AREAS
- ECODESIGN READY
- A+ ENERGY RATING



X30 CUBE COMPACT ECODESIGN



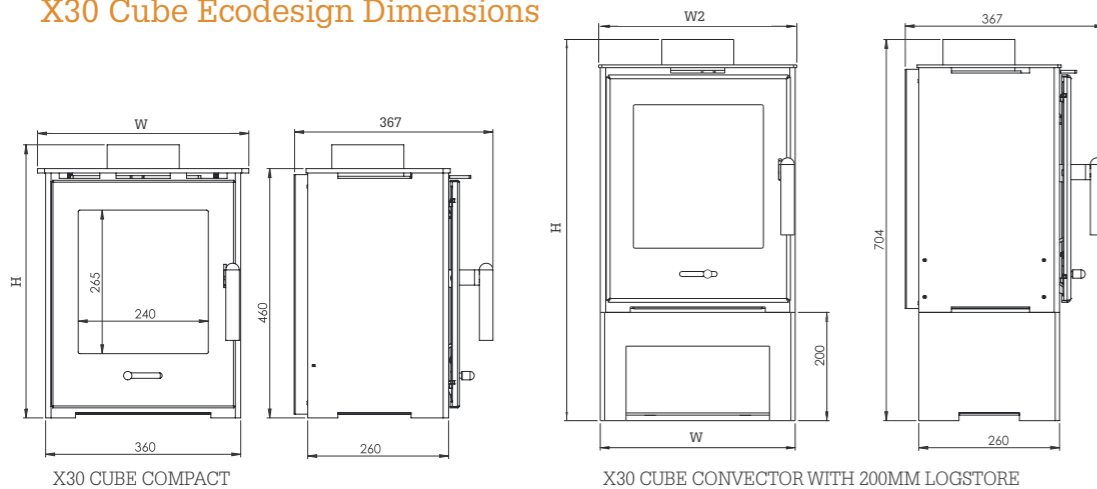
X30 CUBE ECODESIGN CONVECTOR WITH 110MM LEGS



X30 CUBE ECODESIGN CONVECTOR WITH 200MM LOGSTORE

X30 CUBE ECODESIGN CONVECTOR WITH 400MM LOGSTORE

X30 Cube Ecodesign Dimensions



X30 CUBE SHOWN IN THE DARSHAM 44" SURROUND

FREESTANDING STOVES

BOHEMIA X40 CUBE ECODESIGN 3-7kW
BOHEMIA X60 CUBE 3-9kW



These contemporary and minimalistic styled stoves feature a large viewing window giving an unparalleled view of the fire burning brightly in the fire box.

Both models are available in standard form with steel sides or with optional side windows for a greater viewing experience.

HETAS and SEA approved.

Options

- Available with optional 200mm or 400mm logstores
- Cool touch stainless steel, black handles and knobs or wooden handle
- Side windows
- Higher output X60 3-9kW available with and without side windows

Features

- 3-7kW (X40 CUBE)
3-9kW (X60 CUBE)
- NOMINAL OUTPUT:
X40 CUBE 5KW; X60 CUBE 7KW
- EFFICIENCY:
X40 82.7%; X60 80.4%
- X40 SLIMLINE DEPTH
OF 280MM
- 400MM MAX. LOG LENGTH
- HEAVY DUTY 5MM STEEL BODY
- CONVECTOR TOP PLATE
- CAST IRON GRATE
- SIMPLE AIRSLIDES TO
CONTROL BOTH PRIMARY
AND SECONDARY AIR WASH
TO KEEP GLASS CLEAN
- 5 YEAR GUARANTEE
- SEA APPROVED FOR USE IN
SMOKE CONTROL AREAS
- X40 CUBE ECODESIGN READY



BOHEMIA X40 CUBE PANORAMA

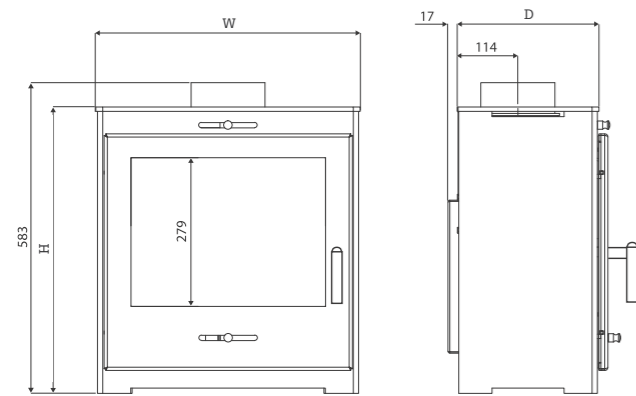


BOHEMIA X40 WITH CAST IRON DOOR



BOHEMIA X40 CUBE ON 400MM LOGSTORE

Bohemia X40/X60 Cube Dimensions



X40 Cube W = 496mm D = 280mm H = 537
X60 Cube W = 496mm D = 396mm H = 537
X40 Cast Iron door W = 545mm D = 308mm H = 605 All Measurements in mm



BOHEMIA X40 CUBE IN FLAT VICTORIAN LIMESTONE SURROUND

FREESTANDING STOVES

BOHEMIA X40 CUBE XTRA WIDE 3-7kW



The Bohemia X40 Xtra Wide has the same contemporary styling as its smaller brothers but is a wide screen giving a more impressive view of the fire burning brightly.

This stove is perfect for wider fireplaces where more heat output is required and can be supplied with a 200mm or 400mm logstore stand.

HETAS and SEA approved.

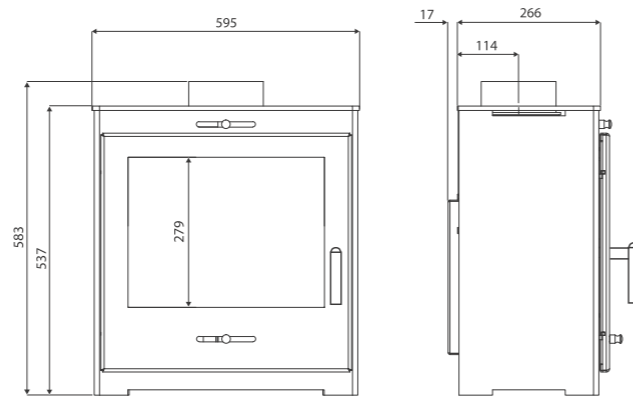
Options

- Available with optional 200mm or 400mm logstores
- Cool touch stainless steel, black handles and knobs or wooden handle



BOHEMIA X40 CUBE XTRA WIDE WITH LOGSTORE

Bohemia X40 Cube Xtra Wide Dimensions



Features

- 3-7kW
- NOMINAL OUTPUT: 5.5KW
- EFFICIENCY: 77%
- SLIMLINE DEPTH OF 280MM
- 500MM MAX. LOG LENGTH
- HEAVY DUTY 5MM STEEL BODY
- CONVECTOR TOP PLATE
- CAST IRON GRATE
- SIMPLE AIRSLIDES TO CONTROL BOTH PRIMARY AND SECONDARY AIR WASH TO KEEP GLASS CLEAN
- 5 YEAR GUARANTEE



BOHEMIA X40 CUBE XTRA WIDE

FREESTANDING STOVES

BOHEMIA 60 CUBE DOUBLE-SIDED STOVE 6-8kW

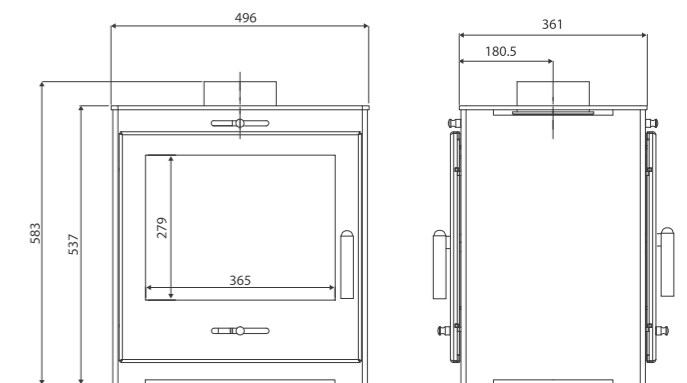
Make a real statement in any home and radiate heat more effectively through your living space with this stunning double-sided multifuel stove.

Ideal for homes with an imposing double-sided fireplace or where the fireplace has been opened up between two rooms.



BOHEMIA 60 CUBE DOUBLE SIDED STOVE SHOWN WITH 200MM STAND

Bohemia 60 Cube Double-Sided Stove Dimensions



Features

- DOUBLE-SIDED ENABLING THE LOADING OF FUEL FROM EITHER SIDE
- 3-8kW OUTPUT
- 79% EFFICIENCY
- MAX. LOG LENGTH 400MM
- HEAVY DUTY 5MM STEEL BODY
- CONVECTOR TOP PLATE
- CAST IRON GRATE
- ADJUSTABLE AIRSLIDERS TO CONTROL BOTH PRIMARY AND SECONDARY AIR WASH ON BOTH SIDES
- 5 YEAR GUARANTEE

Options

- 200mm or 400mm logstore
- Cool touch stainless steel, black handles and knobs or wooden handle

INSET STOVES

PEVEX SLIMLINE 30 3-6kW

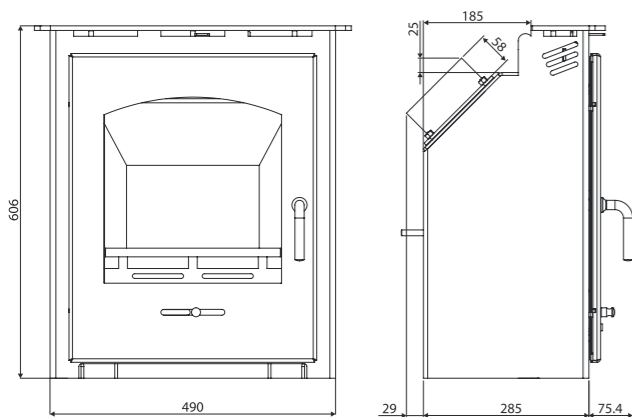


PEVEX SLIMLINE 30 IN DARSHAM SURROUND

Slim and stylish, the PeveX 30 Slimline inset stove is designed to easily fit into a standard 16" x 22" British fireplace* opening and is ideal for a shallower fireplace or for installation where space is limited.

It features a large glass window to give a maximum view of the fire, convection sides and top plate and primary and secondary air for precise control.

PeveX Slimline 30 Inset Dimensions



Options

- Can be installed with a liner (with optional bolt-on 5" or 6" diameter flue adaptor).

*Existing fireplace must be suitable for solid fuel use

Features

- NOMINAL OUTPUT 5KW
- 78% EFFICIENCY
- FULL SIZE DOOR AND LARGE GLASS WINDOW
- CONVECTION SIDES AND TOP PLATE
- FULL CAST IRON GRATE
- VERMICULITE LINED FIRE CHAMBER FOR IMPROVED COMBUSTION AND EFFICIENCY
- PRIMARY AND SECONDARY AIR CONTROLS
- TESTED AND APPROVED TO EN13229 FOR WOOD AND APPROVED SMOKELESS FUEL

INSET STOVES

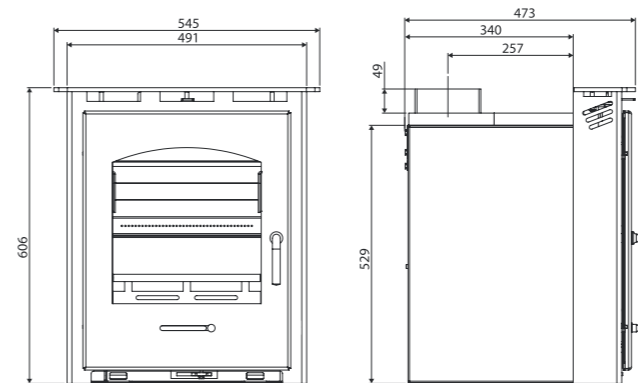
PEVEX 60 CONVECTOR 4-9kW



A very impressive output from this multifuel inset stove. This high output, inset stove is designed to fit into a standard UK 16" x 22" fireplace* opening and has a unique slide-in cassette design for easy installation.

This stove offers a huge increase in efficiency over an open fire and its large glass window will ensure to give a lovely focal point to your room.

PeveX 60 Convector Inset Dimensions



Features

- NOMINAL OUTPUT 6.5KW
- 78% EFFICIENCY WHEN BURNING WOOD
- 300MM LOG LENGTH
- HEAVY DUTY ROBUST CONSTRUCTION
- CONVECTION SIDES AND TOP PLATE
- VERMICULITE LINED FIRE CHAMBER FOR IMPROVED COMBUSTION AND EFFICIENCY
- RIDDLING CAST IRON GRATE
- PRIMARY AIR CONTROL AND SECONDARY AIR WASH SLIDERS
- SIDE AND REAR INJECTED TERTIARY AIR FOR IMPROVED COMBUSTION
- TESTED AND APPROVED TO EN 13229 FOR WOOD AND APPROVED SMOKELESS FUEL
- SEA APPROVED FOR USE IN SMOKE CONTROL AREAS

*Existing fireplace must be suitable for solid fuel use



PEVEX 60 CONVECTOR

INSET STOVES

PEVEX 40 CONVECTOR 4.5kW



PEVEX 40 CONVECTOR INSET SHOWN WITH 4 SIDED FRAME

A modern and stylish inset stove that is designed to fit into a standard UK fireplace* opening improving its efficiency over an open fire as well as a lovely focal point in the room.

Available with a 3 sided clip-on steel frame for installing on a hearth or 4 sided when installing into the wall.

*Existing fireplace must be suitable for solid fuel use

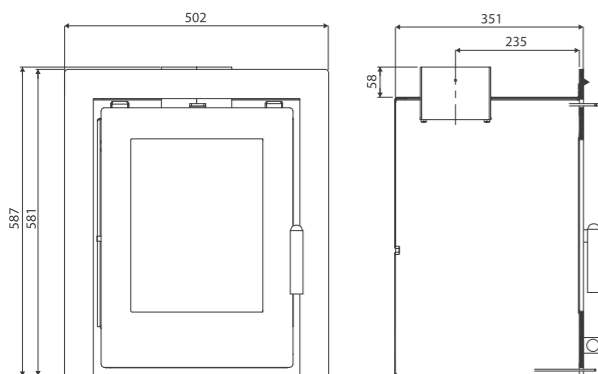
Options

- Stainless steel or black handle

Features

- DESIGNED TO FIT INTO A STANDARD 16" X 22" OPENING
- 4.5kW NOMINAL OUTPUT
- 79% EFFICIENCY
- SIMPLE TO USE AIR CONTROLS
- EASY CASSETTE INSTALLATION
- COOL TOUCH HANDLE
- BUILT-IN AIRWASH AND TERTIARY AIR
- TESTED AND APPROVED TO EN13229
- SEA APPROVED FOR USE IN SMOKE CONTROL AREAS

PeveX 40 Convector Inset Dimensions



PEVEX 40 CONVECTOR SHOWN WITH 3 SIDED FRAME

TECHNICAL INFORMATION



Type:	FREESTANDING STOVES:							INSET STOVES:		
Model:	BUCKLESHAM 40FS	BUCKLESHAM 50FS	X30 CUBE ECODESIGN	BOHEMIA ECODESIGN X40 CUBE	BOHEMIA X60 CUBE	BOHEMIA X40 CUBE XTRA WIDE	BOHEMIA 60 CUBE DOUBLE-SIDED	PEVEX SLIMLINE 30	PEVEX 60 CONVECTOR	PEVEX 40 CONVECTOR
See on page:	4	4	6	8	8	10	11	12	13	14
Nominal kW	5	6	4.2	5	7	5.5	6	5	6.5	4.5
Heat output kW	3-6	4-7	2-4.9	3-7	3-9	3-7	3-8	3-6	4-9	3-6
Outlet pipe size Ø mm	128	128	128	128	128	128	128	128 or 155	128	128
Weight kg	90	96	53	66	83	72	82	60	110	70
Distance to flammable materials mm										
▪ At the sides	400	400	200	400	400	400	400	200	200	250
▪ Behind stove	400	400	300	400	400	400	n/a	300	300	300
▪ Behind with optional heat shield	175	175	150	175	175	175	n/a			
Distance to furniture mm	800	800	800	800	800	800	800	800	800	800
Efficiency % Wood	79.5	70	83.9	82.7	80.4	77	79	78	79	80
Smokeless Fuel	72.4	80.3	75	72.4	71	73	84	80	72	82
Certified No.	CE & EN13240	CE & EN13240	CE & EN13240	CE & EN13240	CE & EN13240	CE & EN13240	CE & EN13240	CE & EN13229	CE & EN13229	CE & EN13229
SEA (Smoke Exemption Approved)	✓	✓	✓	✓	✓	✓			✓	✓
Ecodesign	COMING END OF 2018	COMING END OF 2018	✓	✓		COMING END OF 2018		COMING END OF 2018		COMING END OF 2018
Energy label	A	A	A+	A+	A	A	A	A	A	A
Optional Logstore/ Stands mm			200 or 400 high	200 or 400 high	200 or 400 high	200 or 400 high	200 or 400 high			
								Inset Stove Hole dimension required (w x h x d) mm		
								400x550x200	410x540x350	410x530x350
								Frame width options (w x h)		
								3 sided 50mm		
								4 sided 50mm		
										500x580 500x640

Options

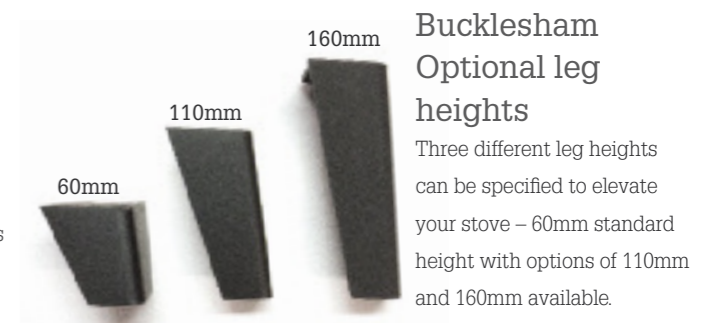


Handle and air controls*

Stoves are fitted with chrome cool-to-touch door handle and matching air controls as standard.

Options available include black, stainless steel or wooden handle variants.

*Not available with PeveX Slimline or Convector inset



Bucklesham Optional leg heights

Three different leg heights can be specified to elevate your stove – 60mm standard height with options of 110mm and 160mm available.

Pevex Stoves are one of the leading innovators in the design and manufacture of wood burning and solid smokeless fuel stoves in the UK.

Pevex Stoves are designed as attractive, heating appliances for both traditional and contemporary homes. They are able to meet the environmental requirements of today and tomorrow with the majority suitable for use in smoke control areas.

With a wide choice of modern or traditional freestanding, inset or convector stoves throughout the collection, there is sure to be a model that will suit your preference, allowing you to just sit back, relax and enjoy the wonderful warming heat and mesmerising flames through the stoves large glass windows.

And just to show you how confident we are of our product's quality, every stove carries a **5-year guarantee** (Terms and conditions apply).



Your PEVEX dealer is:



Warming your world



[facebook.com/pevexstoves](https://www.facebook.com/pevexstoves)